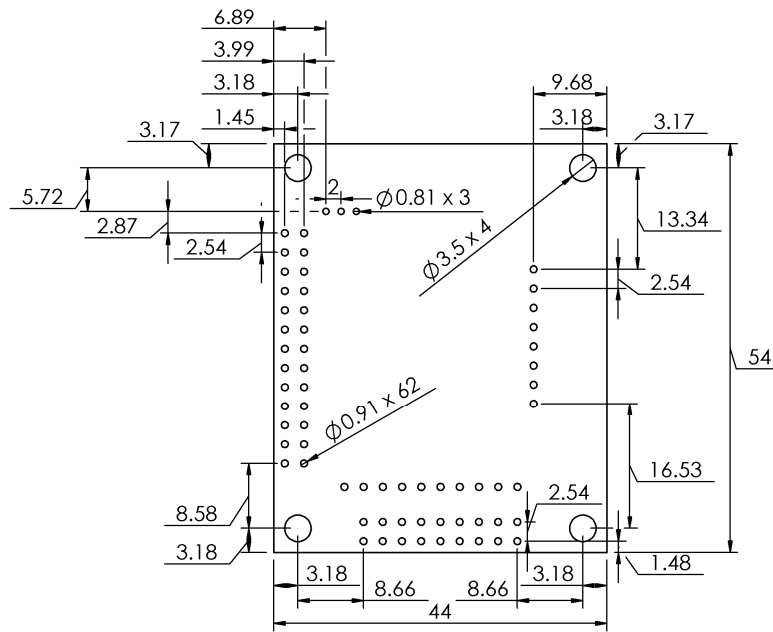
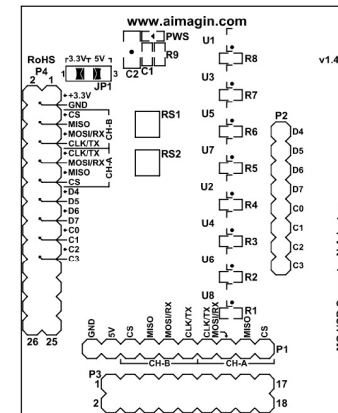


ENGINEERING DRAWINGS (Units: mm)



Dimension



Outline

Aimagin

Title :
aMG USB Converter-N Adapter

Rev : 1.4

Date : 01-22-2013

Sheet : 1 of 1